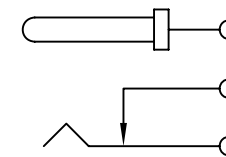
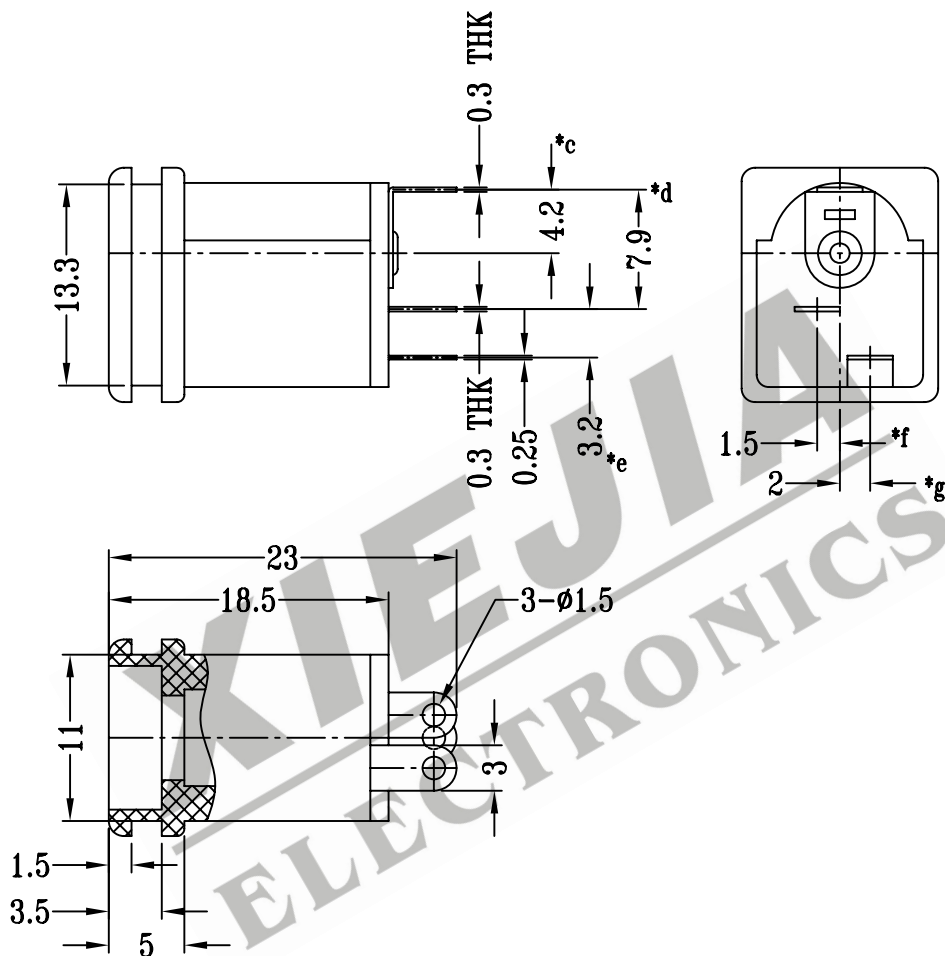
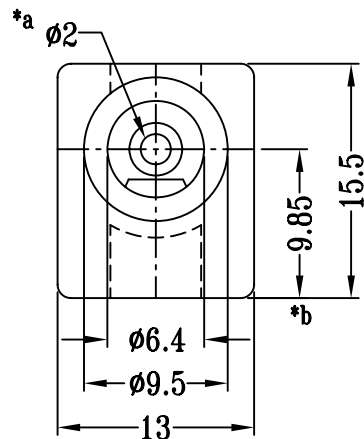
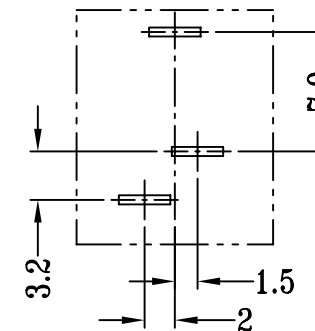


CAD FILE:



SCHEMATIC



P.C.B LAYOUT

注:带"*"表示关键尺寸(7个)

DIA. OF PIN 'A'	2.5mm
DIA. OF PIN 'B'	2.0mm
DIA. OF PIN 'C'	2.35mm

NO.	PARTS	MATERIALS	Q'TY	FINISH	TOLERANCE UNLESS SPECIFIED	SHENZHEN XIEJIA ELECTRONICS CO.,LTD.				
8						ISSUE	DATE	DESCRIPTIONS OF REVISION		APPD.
7										
6	CONTACT	BRASS STRIP	1	Ag PLATED OVER Ni PLATED	WITHIN: 1.5±0.1mm OVER: 1.5±0.2mm					
5	TERMINAL	BRASS STRIP	1	Ag PLATED OVER Ni PLATED						
4	SPRING TERMINAL	PBS STRIP	1	Ag PLATED OVER Ni PLATED						
3	TERMINAL BASE	PHENOLIC RESIN	1	NATURAL						
2	CASE	PC	1	BLACK						
1	PLUG PIN	BRASS	1	Ni PLATED						
					TITLE : DC POWER JACK	UNIT : mm	DRWG NO.: XJ-DR-DS259B-00			
					MODEL: DS-259-B	SCALE: 2:1	DWN.	ZHOUYU	2005-12-14	
					ALL MATERIALS MUST BE COMPLIANT TO ROHS		CHK'D	FANGYING	2005-12-14	
							APPD.	KANGXINAN	2005-12-14	